



Votre distributeur officiel
ALDERS électronique SARL
 2, Rue Thomas Edison
 F-67450 Mundolsheim

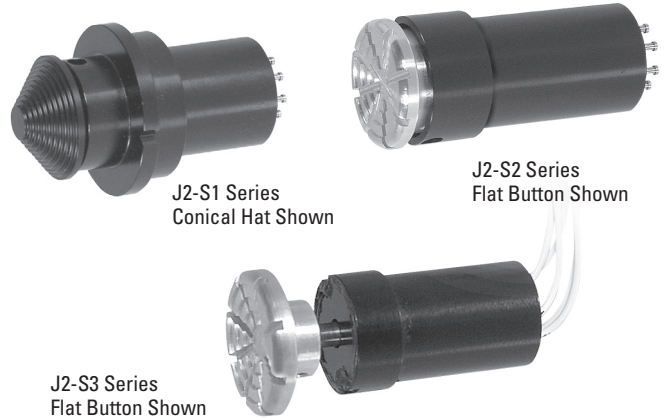
+ (03) 880 64677
 mail@alders.fr

J2
 SERIES

TRANSDUCER

J2 SERIES

The J2 transducer takes a force input of up to 3 lbs. and converts it into a linear voltage output on a X and Y axis. Utilizing semiconductor strain gauges in a Wheatstone bridge configuration, very small changes in force can be detected to produce a corresponding output voltage. Output voltages are ratiometric (proportional) to the supplied input voltage. Circuit type choices include full bridge, half bridge and isolated. We offer short travel, short travel with a pushbutton, long travel, and long travel with a pushbutton. Custom cases, buttons, and wires are available upon request. Tested to military standards, the J2 has is used in aerospace, off-highway, military and other demanding applications.



Features:

- Short (.05 max) or long (.20 typ.) travel options
- Available with or without pushbutton
- Custom cases and buttons available
- Applications include:
 - Flight control grips
 - Cursor control
 - Target acquisition
- Small null hysteresis useful for applications requiring a consistent center voltage

Series Standard Characteristics/Ratings:

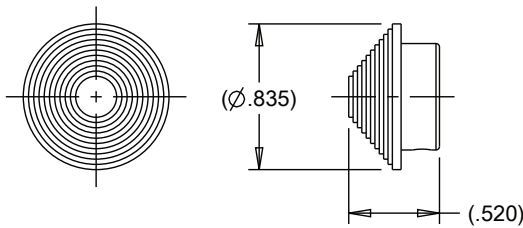
ELECTRICAL RATINGS:

Insulation Resistance:	100MΩ min @ 50VDC
Null Hysteresis:	+/- 1% of full scale output within 1 second after release
Null Temp Coefficient:	+/- .08% full scale per degree C max
Sensitivity Temp Coefficient:	+/- 0.2% full scale per degree C
Resolution:	Infinite
Seal:	Enclosure dusttight per MIL-PRF-8805 Design 2
Operating Force:	3.0 lbs.
Operating Temp Range:	-40°C to +71°C
Storage Temp Range:	-55°C to +85°C
Travel:	To mechanical stop 0.05 inches max

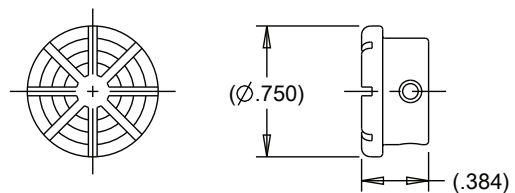
MATERIALS:

Button:	Thermoplastic or anodized aluminum
Wire:	MIL-W-16878/4, 12 inches min, 24 AWG
Hardware:	None provided

J2-S1 and J2-S2 Series

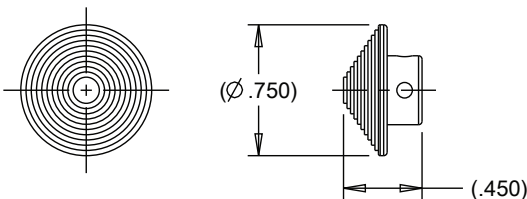


A. CONICAL HAT

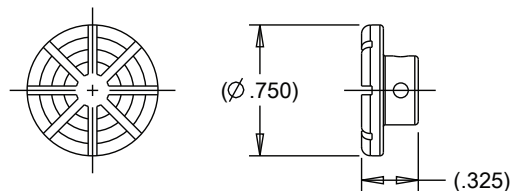


B. FLAT BUTTON

J2-S3 Series



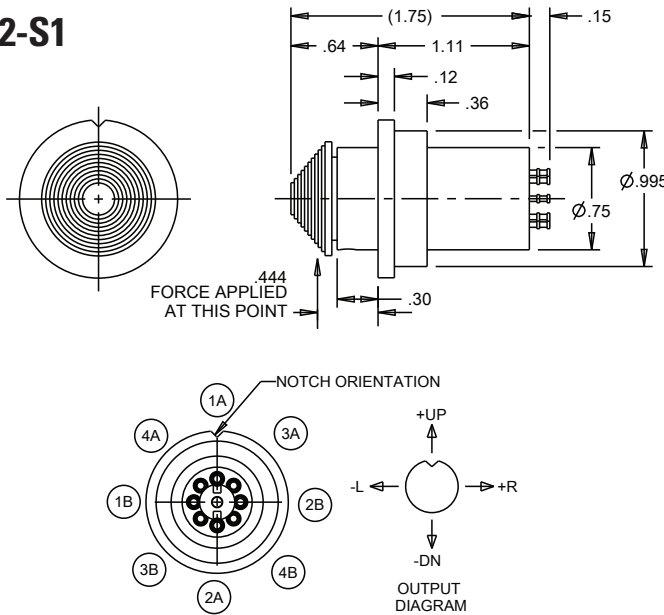
A. CONICAL HAT



B. FLAT BUTTON

STRAIN GAUGE, FLANGE MOUNT, SHORT TRAVEL

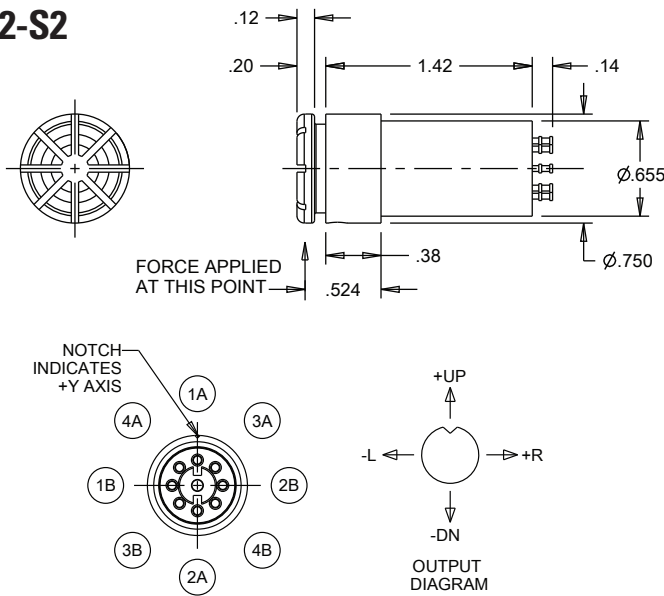
J2-S1



J2-S1 PART NUMBER CODE

J2-S1	X	XX	X	XXX
Circuit Type	Electrical I/O (See Table)	Termination	Button Style and Color	
A. Full Bridge	B3.	1. Wire Leads	AP1. Conical Hat, Red Thermoplastic	
B. Half Bridge	B4.	2. Terminals	AP2. Conical Hat, Black Thermoplastic	
C. Isolated	B5.		AP8. Conical Hat, Gray Thermoplastic	
	B6.		BBA. Flat Button, Black Anodized Aluminum	
	B7.		BCA. Flat Button, Clear Anodized Aluminum	
	G3.			
	G4.			
	G5.			
	G6.			
	G7.			

J2-S2

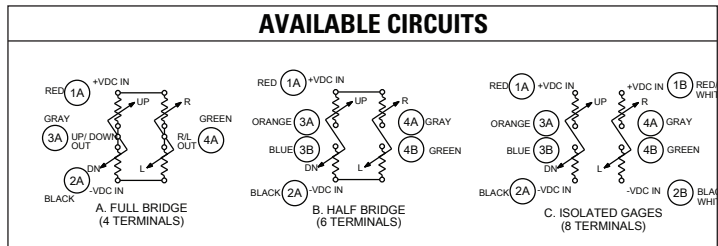


J2-S2 PART NUMBER CODE

J2-S2	X	XX	X	XXX
Circuit Type	Electrical I/O (See Table)	Termination	Button Style and Color	
A. Full Bridge	B3.	1. Wire Leads	AP1. Conical Hat, Red Thermoplastic	
B. Half Bridge	B4.	2. Terminals	AP2. Conical Hat, Black Thermoplastic	
C. Isolated	B5.		AP8. Conical Hat, Gray Thermoplastic	
	B6.		BBA. Flat Button, Black Anodized Aluminum	
	B7.		BCA. Flat Button, Clear Anodized Aluminum	
	G3.			
	G4.			
	G5.			
	G6.			
	G7.			

Circuit Configuration	Excitation Voltage (Units VDC)	Sensitivity Until Stop (Units VDC/lb. +/- 20%)	Max Output at Stop (Units VDC)	Null Output at 25°C Bipolar (Units VDC)	Null Output at 25°C Supply to Ground (Units VDC)	Full Scale Travel Cycles (Units x 10 ⁶)
B3	+/- 7.5	+/- 0.45	+/- 1.62	+/- 0.10		0.2
G3	+ 15.0	+/- 0.45	+/- 1.62		7.5 +/- 0.10	0.2
B4	+/- 6.0	+/- 0.45	+/- 1.62	+/- 0.10		0.2
G4	+ 12.0	+/- 0.45	+/- 1.62		6.0 +/- 0.10	0.2
B5	+/- 6.0	+/- 0.33	+/- 1.19	+/- 0.06		1.0
G5	+ 12.0	+/- 0.33	+/- 1.19		6.0 +/- 0.06	1.0
B6	+/- 5.0	+/- 0.33	+/- 1.19	+/- 0.05		1.0
G6	+ 10.0	+/- 0.33	+/- 1.19		5.0 +/- 0.05	1.0
B7	+/- 5.0	+/- 0.25	+/- 0.90	+/- 0.05		1.0
G7	+ 10.0	+/- 0.25	+/- 0.90		5.0 +/- 0.05	1.0

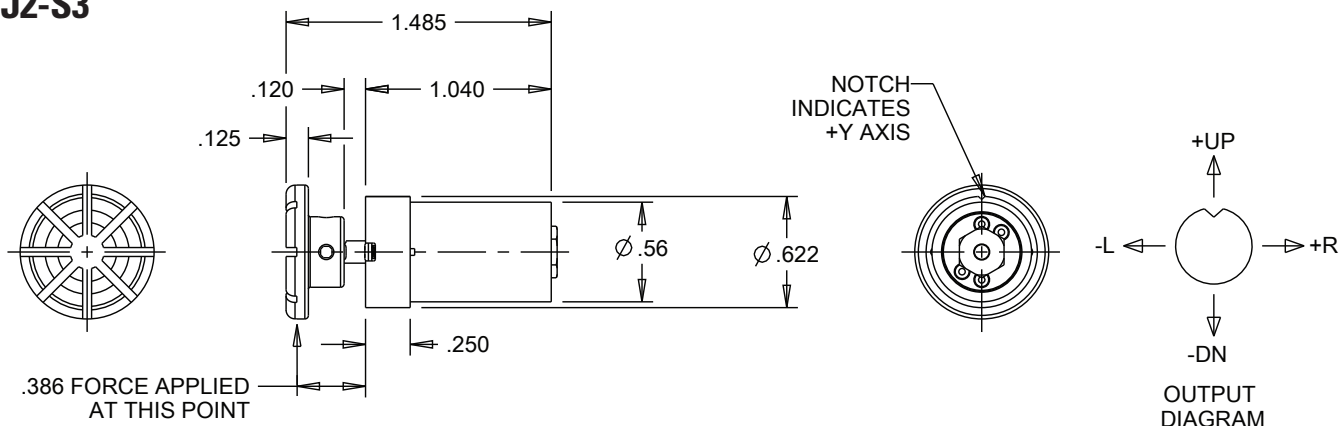
AVAILABLE CIRCUITS



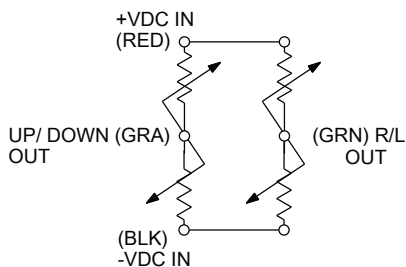
TRANSDUCER

STRAIN GAUGE, FLANGE MOUNT, SHORT TRAVEL

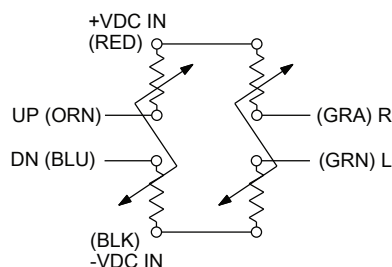
J2-S3



AVAILABLE CIRCUITS



A. FULL BRIDGE
(4 WIRES)



B. HALF BRIDGE
(6 WIRES)

J2-S3 PART NUMBER CODE

J2-S3	X	XX	X	XXX
Circuit Type	Electrical I/O (See Table)	Termination	Button Style and Color	
A. Full Bridge	B1.	1. Wire Leads	AP1. Conical Hat, Red Thermoplastic	
B. Half Bridge	B2.		AP2. Conical Hat, Black Thermoplastic	
	B3.		AP8. Conical Hat, Gray Thermoplastic	
	B4.		BBA. Flat Button, Black Anodized Aluminum	
	B5.		BCA. Flat Button, Clear Anodized Aluminum	
	G1.			
	G2.			
	G3.			
	G4.			
	G5.			

EXCITATION VOLTAGE TABLE FOR J2-S3

Circuit Configuration	Excitation Voltage (Units VDC)	Sensitivity Until Stop (Units VDC/lb. +/- 20%)	Max Output at Stop (Units VDC)	Null Output at 25°C Bipolar (Units VDC)	Null Output at 25°C Supply to Ground (Units VDC)	Full Scale Travel Cycles (Units x 10 ⁴)
B1	+/- 7.5	+/- 0.45	+/- 1.62	+/- 0.10		0.3
G1	+ 15.0	+/- 0.45	+/- 1.62		7.5 +/- 0.10	0.3
B2	+/- 6.0	+/- 0.45	+/- 1.62	+/- 0.10		0.2
G2	+ 12.0	+/- 0.45	+/- 1.62		6.0 +/- 0.10	0.2
B3	+/- 6.0	+/- 0.33	+/- 1.19	+/- 0.06		1.0
G3	+ 12.0	+/- 0.33	+/- 1.19		6.0 +/- 0.06	1.0
B4	+/- 5.0	+/- 0.33	+/- 1.19	+/- 0.05		1.0
G4	+ 10.0	+/- 0.33	+/- 1.19		5.0 +/- 0.05	1.0
B5	+/- 5.0	+/- 0.25	+/- 0.90	+/- 0.05		1.0
G5	+ 10.0	+/- 0.25	+/- 0.90		5.0 +/- 0.05	1.0