

# SEALED DOME PUSHBUTTON SWITCHES

**P3-D**  
DOME  
PUSHBUTTONS

MOMENTARY ACTION, ATTRACTIVE & RUGGED FOR WET & DUSTY ENVIRONMENTS

Rugged pushbutton switches with new contoured dome styling. There are two design versions: flush dome and raised dome button profile. They also offer excellent mechanical and electrical performance while operating under severe conditions found in demanding applications.

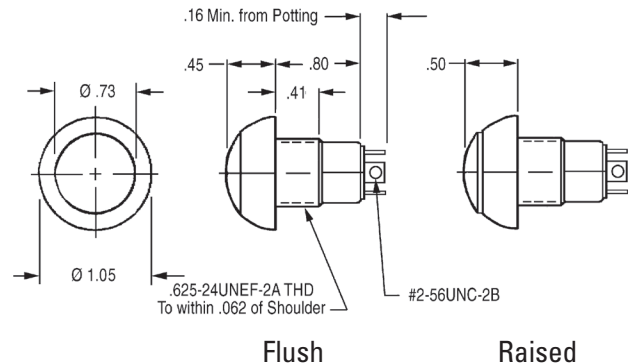
The P3-D Dome features dusttight and moistureproof or watertight sealed construction to IP68S and IP69K (add "W" to your part number for watertight seal). 100,000 operations at rated load of 10 amps resistive or 5 amps inductive; up to a million mechanical operations in logic level switching applications.

The P3-D Dome is available in standard and low operating force double break snap-action models. All are momentary action. Special contact variations are available. High contact pressure and unique contact design provide for logic level switching capability as well as full rated service.

The P3-D Dome is a quality precision snap-action switch designed for use in panels, control sticks, computers, instruments, heavy equipment and other demanding applications where attractive, rugged pushbutton switches are required.

## Features:

- Attractive dome style button
- 2 contoured button styles
- Double break momentary action
- Withstands extreme shock & vibration
- Positive tactile feedback
- Solder & screw terminal styles
- Moistureproof & dusttight to IP64
- Watertight to IP68S and IP69K available
- RoHS compliant



Flush Dome Button



### Standard Characteristics/Ratings:

#### ELECTRICAL RATINGS:

Load	Sea Level @ 28VDC or 115VAC, 60/400Hz	Cycles
Resistive	10A	100,000
Resistive	15A	25,000
Inductive	5A	100,000
Lamp	3A	100,000
Center Contact	3A max	100,000
DWV	1000Vrms	
Logic Level	10mA @ 5VDC	100,000

**Electrical Life:** See Rating Chart

**Mechanical Life:** 1,000,000 cycles, circuit forms 1, 2 & 6  
100,000 cycles, circuit forms 3, 4 & 5

**Seal:** IP64 or IP68S and IP69K

**Operating Temp Range:** -55°C to +85°C

**Operating Force:** 2.0 lbs. to 4.0 lbs., +0.5/-1.0 lb.

**Total Travel:** 0.075 +/- 0.015 inches

**Overtravel:** 0.012 inches min

**Movement Differential:** 0.015 inches min

#### MATERIALS:

**Case:** Anodized aluminum alloy

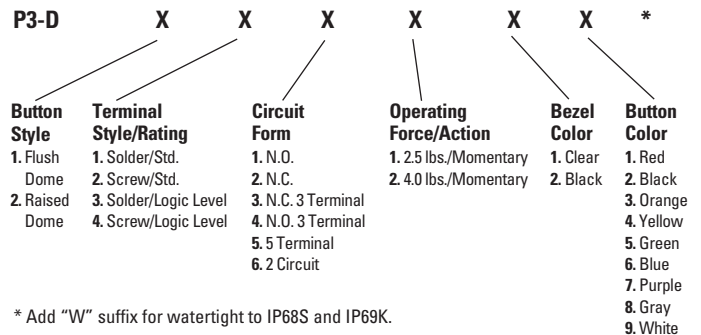
**Button:** Thermoplastic

**Terminals:** Brass with silver plate, gold plate for logic level

**Terminal Hardware:** Screws, lockwasher and terminal lugs

**Mounting Hardware:** Hex nut, lockwasher and panel seal when applicable

### P3-D PART NUMBER CODE



\* Add "W" suffix for watertight to IP68S and IP69K.



**Votre distributeur officiel**  
ALDERS électronique SARL  
2, Rue Thomas Edison  
F-67450 Mundolsheim

+ (03) 880 64677  
mail@alders.fr