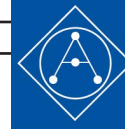


ALTERNATE ACTION DOME PUSHBUTTONS

P5-D
ALTERNATE ACTION

ATTRACTIVE & RUGGED FOR WET & DUSTY ENVIRONMENTS



Votre distributeur officiel
ALDERS électronique SARL
2, Rue Thomas Edison
F-67450 Mundolsheim
☎ + (03) 880 64677
✉ mail@alders.fr

The rugged P5-D switch is an alternate action "push on, push off" pushbutton switch with contoured dome styling. With two design versions, a flush dome and raised dome button profile, the P5-D offers excellent mechanical and electrical performance while operating under severe conditions found in demanding applications.

The P5-D features unsealed, dusttight, moistureproof and watertight seal options. A mechanical life of one million cycles, 25,000 cycles at full load.

The P5-D is a quality precision, snap-action switch designed for use in panels, instruments and other demanding applications where attractive, rugged pushbutton switches are required.

"Push On, Push Off" action

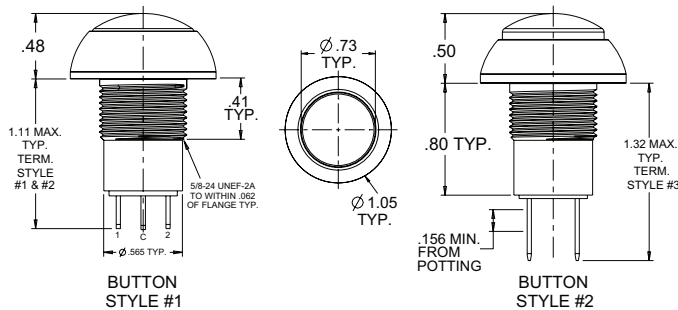


Flush Dome Button,
Also available with
Raised Dome



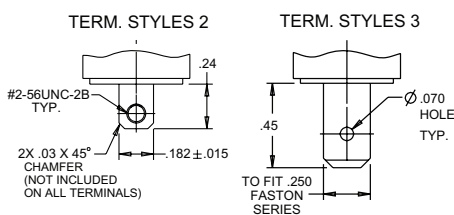
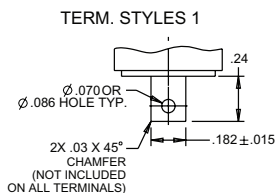
Features:

- 2 contoured button styles
- Button sealed with patented "rolling sleeve" principle
- Contact area sealed at case & terminals
- Handles logic level up to 5 amps
- Moistureproof & dusttight to IP64 & MIL-PRF-8805 Design 2 or watertight to IP68S options
- Unsealed construction also available
- RoHS compliant



Standard Characteristics/Ratings:	
ELECTRICAL RATINGS:	
Load	Sea Level @ 28VDC or 115VAC
Resistive	5A
Inductive	3A
Lamp	1A
Motor	3A
DWV	1000Vrms
Logic Level	10mA @ 5VDC
Electrical Life:	25,000 cycles at full load
Mechanical Life:	1,000,000 cycles
Seal:	Unsealed, IP64 & MIL-PRF-8805 Design 2 or IP68S
Operating Temp Range:	-40°C to +85°C
Operating Force:	3.0 lbs. +/- 0.5 lb.
Total Travel:	0.180 inches max
Overtravel:	0.012 inches min
MATERIALS:	
Case:	Anodized aluminum alloy
Button:	Thermoplastic
Terminals:	Brass with gold over silver
Terminal Hardware:	Screws, lockwashers and terminal lugs for screw terminal option
Mounting Hardware:	Hex nut, lockwasher

PUSHBUTTON SWITCHES



P5-D PART NUMBER CODE					
P5-D	X	X	X	X	X
Button Style	Terminal Style/Rating	Circuits/Contacts/Grade	Seal Level	Case Color	Button Color
1. Flush 2. Raised	1. Solder 2. Screw ① 3. 0.250" Quick Connect ①	1. SPST/Silver/Commercial 2. SPST/Gold/Commercial 3. SPDT/Silver/Commercial 4. SPDT/Gold/Commercial 5. SPST/Silver/Military Grade 6. SPST/Gold/Military Grade 7. SPDT/Silver/Military Grade 8. SPDT/Gold/Military Grade	1. Unsealed 2. Dusttight 3. Watertight	1. Clear 2. Black	1. Red 2. Black 3. Orange 4. Yellow 5. Green 6. Blue 7. Purple 8. Gray 9. White

① Available on SPST circuit forms only.