

FEATURING OTTO'S UNIQUE SNAP-ACTION MECHANISM

These miniature toggles are rugged, highly reliable switches offering positive detent action for safe switching operation. Featuring the unique OTTO snap-action switch mechanism in conjunction with a unique toggle actuator design, the T3 series offers snap-action contact actuation.

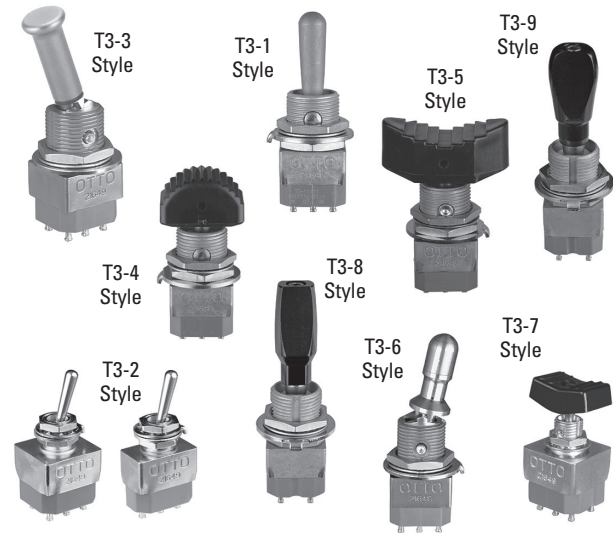
High contact pressure and superior wiping action of the OTTO design makes the T3 series an excellent choice for switching loads from logic level up to 5 amps.

Choose sealed one or two pole circuitry, 15/32-32 sealed or 1/4-40 unsealed bushing construction, momentary and/or maintained operation. The 15/32-32 bushing model is also available with lever lockout toggle feature or thumb button actuators.

Molded-in terminals seal the contacts against moisture and solder flux wicking. The front-panel side of 15/32-32 bushing models are sealed against water and other liquids per MIL-DTL-83731.

In addition to the single turret solder terminal specified in MIL-DTL-83731, we also offer two different lengths of pins for printed circuit soldering.

Mounting hardware provided includes two hex nuts, one lockwasher and one keyway washer.



Standard Characteristics/Ratings:		
ELECTRICAL RATINGS:		
Load	Sea Level @ 28VDC or 115VAC, 400Hz	@ 65,000 Feet
Resistive	5A	5A
Inductive	2A	2A
Lamp	1A	N/A
DWV	1200Vrms	400Vrms
Contact Resistance	25 mΩ max initial	
Electrical Life:	30,000 cycles	
Mechanical Life:	100,000 cycles	
Seal:	MIL-DTL-83731 (15/32-32 bushing style only)	
Operating Temp Range:	-65°C to +85°C	
MATERIALS:		
Handle:	303 Stainless	
Bushing:	Per MIL-DTL-83731	
Body:	Per MIL-DTL-83731	
Terminal Hardware:	None required	
Mounting Hardware:	Hex nuts, lockwasher and keyway washer	

## Features:

- Snap-action contact actuation
- Shorter behind panel depth
- Superior wiping action keeps contacts clean
- Positive tactile response prevents operating errors
- Weighs up to 25% less than competitive products
- More contact/terminal plating choices
- Highly reliable, simpler design, fewer parts
- Black matte finish available. Contact factory.
- RoHS compliant



## T3 PART NUMBER CODE

T3	-	X	X	X	X	X	X	- or	X		
Bushing Style	Terminal Style	Circuitry	Circuit Made With Lever At:	Contact Material	Lockout Feature	Button Color ②					
1. 15/32-32 2. 1/4-40 3. 15/32-32 With Lockout ① 4. 15/32-32 With Convex Button ② 5. 15/32-32 With Concave Button ② 6. 15/32-32 With Lockout and Smaller Bat Handle ① 7. 1/4-40 with Rocker Button ② 8. 15/32-32 with Small Paddle Bat Handle 9. 15/32-32 with Large Paddle Bat Handle A. 15/32-32 With Lockout and Knurled Lockout Handle	1. Single Turret 4. PC Pin 0.150" lg. 5. PC Pin 0.270" lg.	1. Single Pole 2. Double Pole	<b>Keyway Side</b> 1. ON OFF 2. OFF NONE 3. ON NONE 4. (ON) NONE 5. (ON) OFF 6. (ON) OFF	<b>Center</b> 1. ON OFF 2. OFF NONE 3. ON NONE 4. (ON) NONE 5. (ON) OFF 6. (ON) OFF	<b>Opposite Keyway</b> 1. ON ON 2. ON ON 3. ON ON 4. ON ON 5. (ON) (ON) 6. ON ON	1. Silver/Gold Flash 2. Gold Plate	Lockout feature configuration code letters A-P for bushing styles 3, 6 and A only. Otherwise omit.	1. Red 2. Black 8. Gray  <b>Lever Color</b> For bushing styles 1 & 2 - bat handle & bushing A. Black <b>No Selection.</b> Clear  For bushing styles 3 & 6 - bat handle & bushing (available only in clear) <b>No Selection.</b> Clear  For bushing styles 8 & 9 - bat handle only 1. Clear 2. Red <b>No Selection.</b> Black			

NOTE: ( ) denotes momentary action.

TOGGLE SWITCHES

MEETS MIL-DTL-83731, COMMERCIAL & MILITARY GRADES

Circuit Made With Lever At				15/32" Bushing (Sealed)		1/4-40" Bushing (Unsealed)		Lever Lock-15/32" Bushing (Sealed)		
No. Poles	Keyway Side 1-2 4-5	Center Position	Opposite Keyway 2-3 5-6	MIL-SPEC Part Number	OTTO Part Number	MIL-SPEC Part Number	OTTO Part Number	MIL-SPEC Part Number	OTTO Part Number	Suffix for Lockout Feature
1	ON	OFF	ON	MS27718-21-1	T3-11111	MS27716-21-1	T3-21111	MS27720-21-1	T3-31111	All
1	OFF	None	ON	MS27718-22-1	T3-11121	MS27716-22-1	T3-21121	MS27720-22-1	T3-31121	D, F, G
1	ON	None	ON	MS27718-23-1	T3-11131	MS27716-23-1	T3-21131	MS27720-23-1	T3-31131	D, F, G
1	(ON)	None	ON	MS27718-26-1	T3-11141	MS27716-26-1	T3-21141	MS27720-26-1	T3-31141	F
1	(ON)	OFF	(ON)	MS27718-27-1	T3-11151	MS27716-27-1	T3-21151	MS27720-27-1	T3-31151	E, L, N
1	(ON)	OFF	ON	MS27718-31-1	T3-11161	MS27716-31-1	T3-21161	MS27720-31-1	T3-31161	E, F, K, L, M, N
2	ON	OFF	ON	MS27719-21-1	T3-11211	MS27717-21-1	T3-21211	MS27721-21-1	T3-31211	All
2	OFF	None	ON	MS27719-22-1	T3-11221	MS27717-22-1	T3-21221	MS27721-22-1	T3-31221	D, F, G
2	ON	None	ON	MS27719-23-1	T3-11231	MS27717-23-1	T3-21231	MS27721-23-1	T3-31231	D, F, G
2	(ON)	None	ON	MS27719-26-1	T3-11241	MS27717-26-1	T3-21241	MS27721-26-1	T3-31241	F
2	(ON)	OFF	(ON)	MS27719-27-1	T3-11251	MS27717-27-1	T3-21251	MS27721-27-1	T3-31251	E, L, N
2	(ON)	OFF	ON	MS27719-31-1	T3-11261	MS27717-31-1	T3-21261	MS27721-31-1	T3-31261	E, F, K, L, M, N

NOTE: ( ) denotes momentary action.

