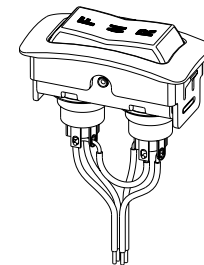


FNR-1002

REV	OCN #	DATE	APR
2	039012	11 SEP 07	KKK
3	039278	21 SEP 07	KKK
4	041527	13 FEB 08	KKK



SCALE 1:1

NOTES:

- CHANGE OF MATERIAL IS NOT PERMITTED UNLESS APPROVED IN WRITING BY OTTO ENGINEERING PERSONNEL.
- DRAWING TO BE INTERPRETED IN ACCORDANCE WITH THE CURRENT REVISION OF ASME Y14.5M.
- THIS PART/PRODUCT IS TO BE MANUFACTURED WITH THE APPLICABLE REGULATIONS OF EC DIRECTIVES 2002/95/EC AND 2002/96/EC, RESTRICTION OF THE USE OF HAZARDOUS SUBSTANCES IN ELECTRICAL AND ELECTRONIC EQUIPMENT (RoHS) AND WASTE ELECTRICAL AND ELECTRONIC EQUIPMENT (WEEE).

CHARACTERISTICS:

ELECTRICAL:

ELECTRICAL RATINGS:

RATINGS AT 28 VDC		
LOAD	SEA LEVEL	50,000 FT.
RESISTIVE	4 AMPS.	4 AMPS.
INDUCTIVE	2 AMPS.	2 AMPS.

ELECTRICAL LIFE: 25,000 CYCLES

MECHANICAL:

MECHANICAL LIFE: 1,000,000 CYCLES

ACTUATION FORCE:

FORWARD / REVERSE TO NEUTRAL: 1.60 ± .75 LBS.
 NEUTRAL TO FORWARD / REVERSE: 2.80 ± .75 LBS. (4)

PHYSICAL:

TEMPERATURE RANGE:

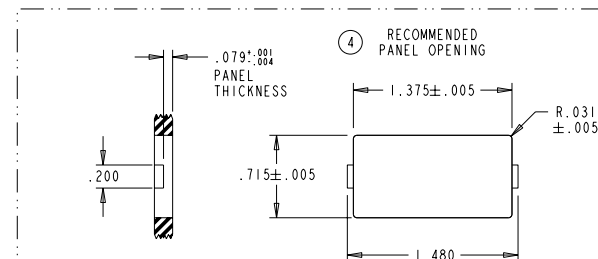
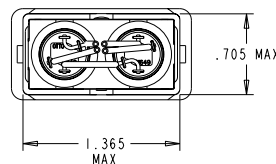
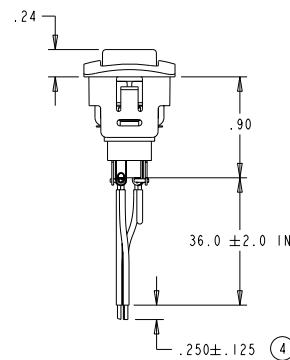
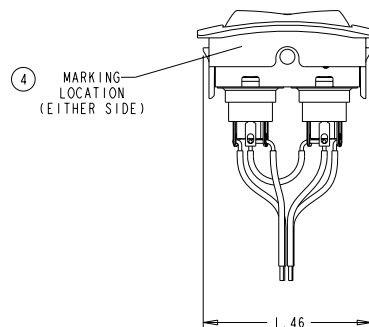
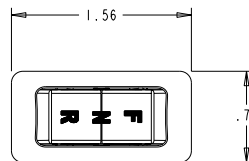
STORAGE: -50°C TO +85°C
 OPERATING: -40°C TO +85°C

SEAL: INTERNAL SWITCH MECHANISM
 SEALED PER IP-68

WIRE: 20 GAGE PER MIL-W-16878/5

MARKING:

OTTO (4)
 FNR-1002
 DATE CODE (YYWW)



SINGLE POLE TRIPLE THROW SCHEMATIC		
FORWARD	NEUTRAL	REVERSE
BLACK — RED	BLACK — RED	BLACK — RED
GREEN — GREEN	GREEN — GREEN	GREEN — GREEN
BLUE — BLUE	BLUE — BLUE	BLUE — BLUE

MANUFACTURING
 SPC

UNLESS OTHERWISE SPECIFIED:
 DIMENSIONS ARE IN INCHES.
 TOLERANCES:
 .XX ±.03
 .XXX ±.010
 ANGLES ±2°
 DO NOT SCALE

OTTO
 CARPENTERSVILLE, ILLINOIS USA

THIS DOCUMENT IS THE CONFIDENTIAL PROPERTY OF OTTO ENGINEERING, INC.. IT IS NOT TO BE USED IN ANY WAY DETRIMENTAL TO THE INTERESTS OF OTTO ENGINEERING, INC..

DESCRIPTION				
FNR, SWITCH, OTTO UNIVERSAL				
DRWN. BDS	SIZE	FSCM NO	DRAWING NO.	REV.
CHKD. KKK	B	21649	FNR-1002	4
APPD. AH	THIRD ANGLE PROJECTION		Scale 1:1	Sheet 1 OF 1
WT.				