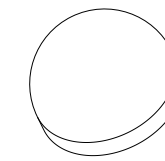


NOTES:

1. CHANGE OF MATERIAL IS NOT PERMITTED UNLESS APPROVED IN WRITING BY OTTO ENGINEERING PERSONNEL.
2. DRAWING TO BE INTERPRETED IN ACCORDANCE WITH THE CURRENT REVISION OF ASME Y14.5.
3. TSI TO BE INTERPRETED AS THEORETICAL SHARP INTERSECTION.
4. THIS PART/PRODUCT IS TO BE MANUFACTURED WITH THE LATEST APPLICABLE REGULATIONS OF EC DIRECTIVES FOR THE RESTRICTION OF THE USE OF HAZARDOUS SUBSTANCES IN ELECTRICAL AND ELECTRONIC EQUIPMENT (ROHS), WASTE ELECTRICAL AND ELECTRONIC EQUIPMENT (WEEE) AND REGISTRATION, EVALUATION, AUTHORIZATION AND RESTRICTION OF CHEMICALS (REACH).
5. FLASH NOT TO EXCEED .005" UNLESS OTHERWISE STATED.
6. PARTING LINE AND EJECTOR MISMATCH SHALL NOT EXCEED .005" UNLESS OTHERWISE STATED.
7. ALL DIMENSIONS ARE MINUS DRAFT UNLESS OTHERWISE STATED.
8. PARTS SHALL BE PACKAGED IN A MANNER TO PREVENT SCRATCHING, BOWING OR OTHER DAMAGE DURING SHIPMENT.
9. TOOL DESIGN SHALL BE APPROVED BY OTTO ENGINEERING AND MANUFACTURING PERSONNEL PRIOR TO TOOLING FABRICATION.
10. GATE AND EJECTOR PIN LOCATION SHALL BE APPROVED BY OTTO ENGINEERING AND MANUFACTURING PERSONNEL PRIOR TO TOOLING FABRICATION.

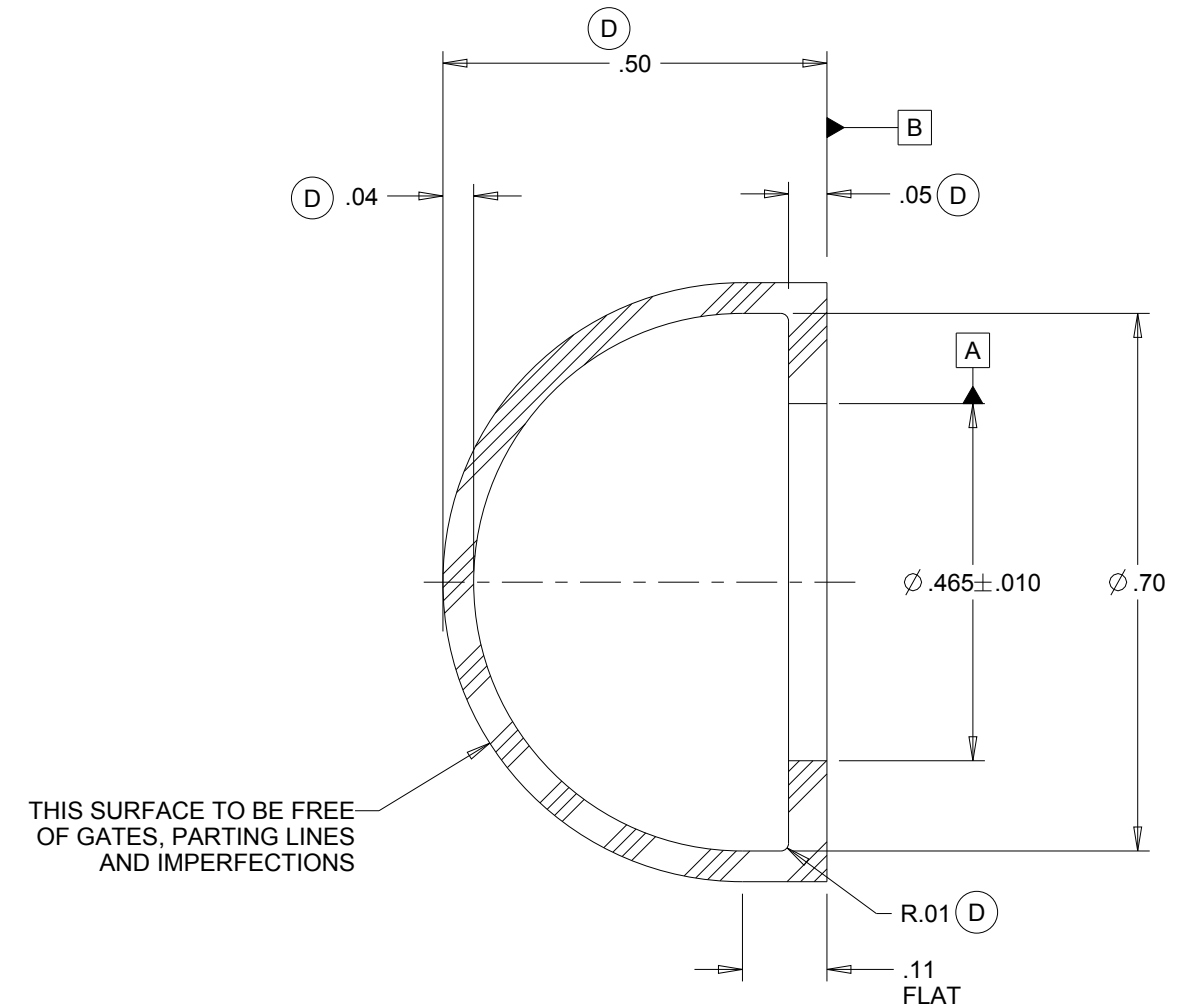
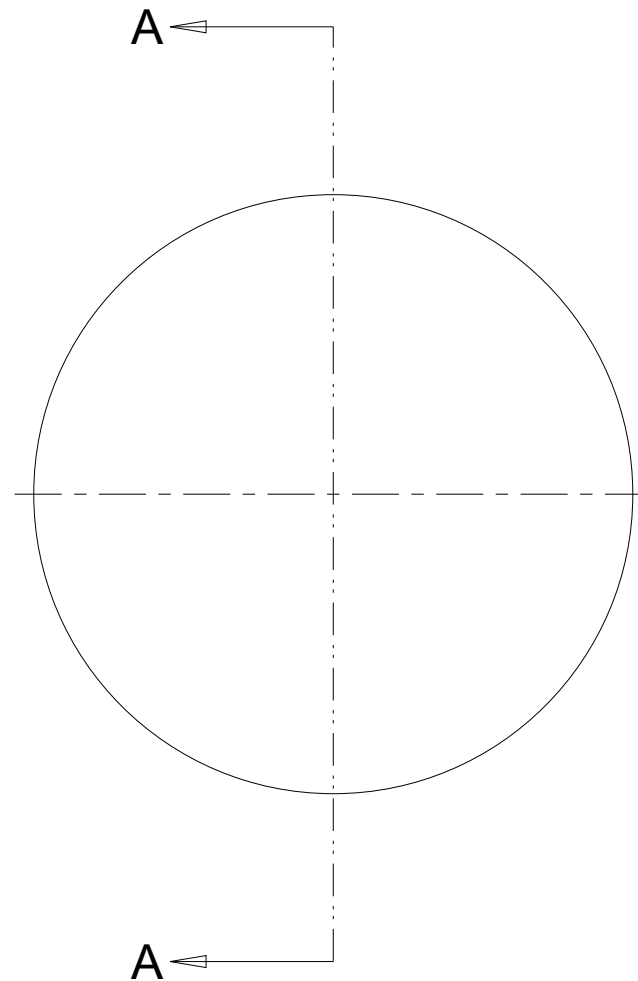
PART NUMBER	COLOR
402611-1	TRANSLUCENT
402611-2	BLACK



SCALE 1:1

402611

REV	OCN #	DATE	APR
A	013207	29 MAY 02	TO
B	025393	17 DEC 04	REO
C	082677	20 MAY 16	TAO
D	083252	25 JUL 16	TAO



SECTION A-A

 KEY CHARACTERISTICS SR SPECIAL REQUIREMENTS		CARPENTERSVILLE, ILLINOIS USA		DESCRIPTION				
PROCESS:	MATERIAL: SILICONE 50 SHORE A DUROMETER COLOR: SEE TABLE			P7, SEALING BOOT FOR RAISED DOME SWITCH				
UNLESS OTHERWISE SPECIFIED: DIMENSIONS ARE IN INCHES. TOLERANCES ARE AS LISTED. MUST BE FREE FROM BURRS AND SHARP EDGES.	TOLERANCES .XX ± .01 .XXX ± .005 ANGLES ± 1° SURFACES 64 MICROINCH DO NOT SCALE DRAWING.	THIS DOCUMENT IS THE CONFIDENTIAL PROPERTY OF OTTO ENGINEERING, INC.. IT IS NOT TO BE USED IN ANY WAY DETRIMENTAL TO THE INTERESTS OF OTTO ENGINEERING, INC..		DRWN. JFC	SIZE	FSCM NO	DRAWING NO.	REV.
				CHKD. TAO APPD. SPM	B	21649	402611	D
				WT.	THIRD ANGLE PROJECTION	Scale 4:1	Sheet 1 OF 1	