

NOTES:

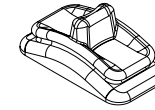
1. CHANGE OF MATERIAL IS NOT PERMITTED UNLESS APPROVED IN WRITING BY OTTO ENGINEERING PERSONNEL.
2. DRAWING TO BE INTERPRETED IN ACCORDANCE WITH THE CURRENT REVISION OF ASME Y14.5M.
3. TSI TO BE INTERPRETED AS THEORETICAL SHARP INTERSECTION.
4. THIS PART/PRODUCT IS TO BE MANUFACTURED WITH THE APPLICABLE REGULATIONS OF EC DIRECTIVES 2002/95/EC AND 2002/96/EC, RESTRICTION OF THE USE OF HAZARDOUS SUBSTANCES IN ELECTRICAL AND ELECTRONIC EQUIPMENT (RoHS) AND WASTE ELECTRICAL AND ELECTRONIC EQUIPMENT (WEEE).
5. 0% REGRIND PERMISSIBLE.
6. FLASH NOT TO EXCEED .012 MAX. UNLESS OTHERWISE STATED.
7. PARTING LINE AND EJECTOR MISMATCH SHALL NOT EXCEED .005 UNLESS OTHERWISE STATED.
8. USE OF MOLD RELEASE IS PROHIBITED UNLESS APPROVED IN WRITING BY OTTO ENGINEERING PERSONNEL.
9. TOOL DESIGN, INCLUDING GATE AND EJECTOR LOCATION, SHALL BE APPROVED BY OTTO ENGINEERING PERSONNEL PRIOR TO TOOLING FABRICATION.
10. CAVITY ID IS REQUIRED ON ALL MULTI-CAVITY TOOLS.
11. PARTS SHALL BE PACKAGED IN A MANNER TO PREVENT BOWING, SCRATCHING, OR OTHER DAMAGE DURING SHIPMENT.
12. IN THE EVENT OF A CONFLICT BETWEEN THIS DRAWING AND THE ASSOCIATED CAD MODEL DATABASE, THE DATABASE SHALL TAKE PRECEDENCE. CONFIRM WITH OTTO ENGINEERING THE CORRECT DATABASE REVISION.
13. THE PART IS NOT FULLY DEFINED IN THIS DRAWING, USE THE ASSOCIATED CAD MODEL DATABASE FOR DETAIL DEFINITION. CONFIRM WITH OTTO ENGINEERING THE CORRECT DATABASE REVISION.

▲ DIMENSION BASED ON PROCESS CAPABILITY, DO NOT USE FOR NEW TOOL CREATION OR NEW DESIGN ACTIVITIES WITHOUT CHECKING THE PART/DESIGN HISTORY.

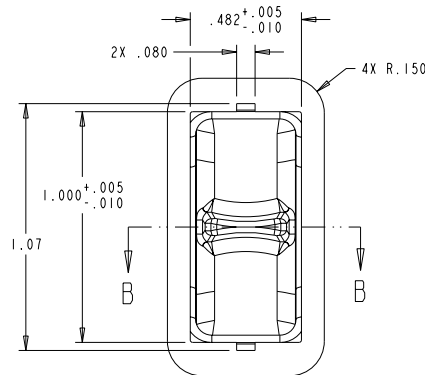
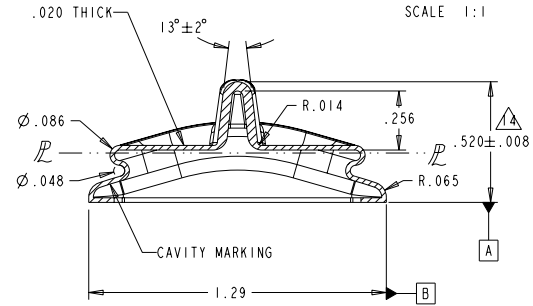
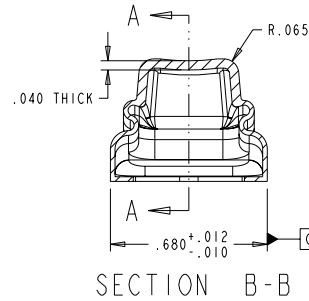
PART NUMBER	COLOR
403319-1	TRANSLUCENT

403319

REV	OCN #	DATE	APR
A	036871	13 APR 07	KI



SCALE 1:1



 MANUFACTURING		 SPC				
PROCESS:	MATERIAL:	 CARPENTERSVILLE, ILLINOIS USA				
.	SILICONE, TRANSLUCENT AND HI-TECH TY-1851 TY-1841 OR EQUIVALENT 50 SHORE HARDNESS					
UNLESS OTHERWISE SPECIFIED: DIMENSIONS ARE IN INCHES. TOLERANCES ARE AS LISTED. MUST BE FREE FROM BURRS AND SHARP EDGES.	TOLERANCES .xx ±.01 .xxx ±.005 ANGLES ± SURFACES 64 MICROINCH DO NOT SCALE DRAWING.	THIS DOCUMENT IS THE CONFIDENTIAL PROPERTY OF OTTO ENGINEERING, INC.. IT IS NOT TO BE USED IN ANY WAY DETRIMENTAL TO THE INTERESTS OF OTTO ENGINEERING, INC..				
		DRWN. KS CHKD. KI APPD. AH	SIZE B	FSCM NO 21649	DRAWING NO. 403319	REV. A
		WT.		THIRD ANGLE PROJECTION	Scale 2:1	Sheet 1 OF 1

DESCRIPTION
KI, SEALING BOOT
FOR SHORT PADDLE BUTTON