

SPECIFICATIONS

Material: Standard Seoloc® washer is 300 series stainless steel, but can be made in nickel-plated carbon steel, aluminum, etc. Silicone rubber is standard.

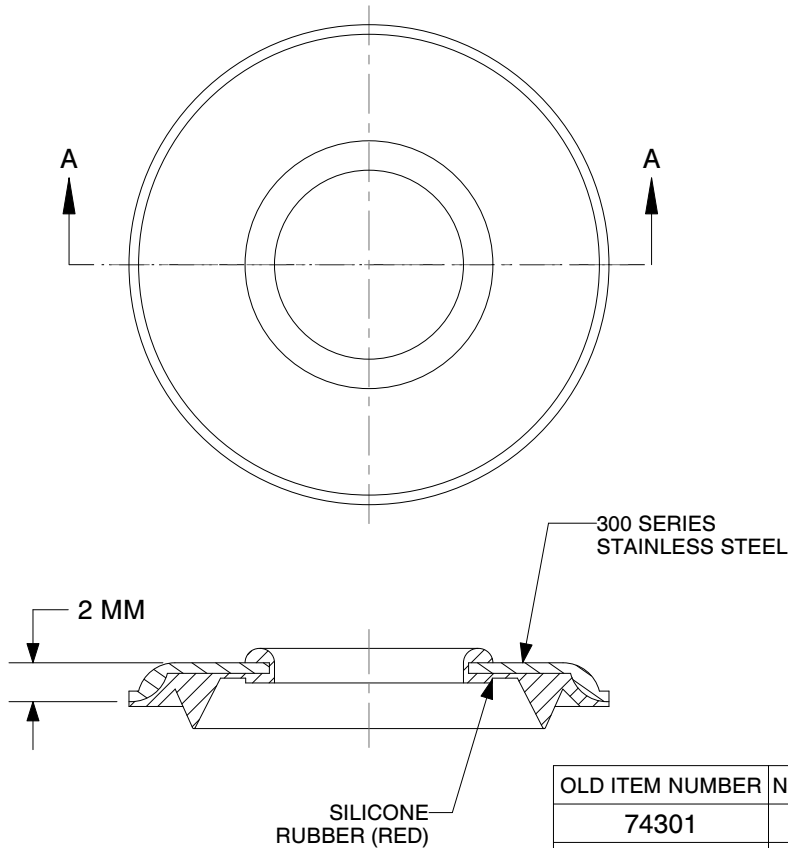
Temperature Range: -106° C to +260° C (-158° F to +500° F)

Pressure Range: Exceeds 100 psi internal and external

Shelf Life: Excess of 25 years.

Resistant to: Salt spray, sunlight, ozone, weather, acids and etc.

Installation: Seoloc® washers are installed on bolts, studs or screws in the same manner as regular washers. The rubber section should always face the panel, mounting surface.



OLD ITEM NUMBER	NEW ITEM NUMBER	THREAD SIZE	WASHER O.D.
74301	75031	M3	14.0mm± 1.3MM
74401	75041	M4	14.0mm± 1.3MM
74501	75051	M5	14.0mm± 1.3MM
74302	75032	M3	25.4mm± 1.3MM
74402	75042	M4	25.4mm± 1.3MM
74502	75052	M5	25.4mm± 1.3MM
74602	75062	M6	25.4mm± 1.3MM
74802	75312	M8	25.4mm± 1.3MM
74102	75392	M10	25.4mm± 1.3MM
74122	75472	M12	25.4mm± 1.3MM

C	ADDED COLUMN FOR "NEW" PART NUMBERS & LABELED ORIGINAL PART NUMBERS COLUMN "OLD".		CHKD BY: KEN F.	02.25.14
B	ADDED M8, M10 AND M12 SIZES		CHKD BY: KEN S.	10.30.13
A	ADDED "RED" TO SILICONE RUBBER			08.01.11
REV.	DESCRIPTION			DATE
MAXIMUM AND MINIMUM MEASUREMENTS ARE STATED DIRECTLY ON EACH DIMENSION.	TITLE: SEELoc® METRIC VIBRATION-RESISTANT, SELF-SEALING WASHERS	ENG.	S. GOK	06.21.11
		DWN:	S. GOK	06.21.11
		CHKD.	J. DODA	06.21.11
MAT'L: AS NOTED	APM-HEXSEAL CORPORATION	SCALE	DWG.NO. 75000 METRIC SERIES	
FINISH: AS NOTED				

THIS DRAWING COVERS PROPRIETARY ITEM AND IS THE PROPERTY OF THE APM-HEXSEAL CORPORATION.
THIS DRAWING IS NOT TO BE COPIED OR USED WITHOUT THE WRITTEN APPROVAL OF AN OFFICER OF THE APM-HEXSEAL CORPORATION.